

## THE AIO SOLUTION® ACCESSORIES PROTRUDING HAND GRIP



AIO SOLUTION® code: **AC-PG**

Article No. : **32015/5**

### A. GENERAL PRODUCT INFORMATION

This product is a medical device used for patient positioning and immobilisation in radiation therapy. The product can be used during both the simulation and treatment stage, including MRI simulation.

Orfit prohibits the use of unauthorised third-party products in conjunction with its own products.

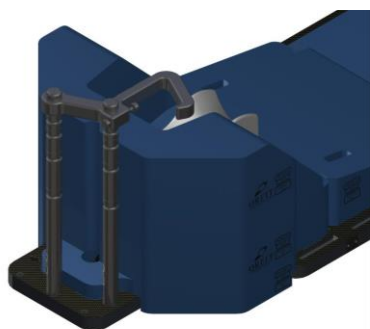
### B. PRODUCT DESCRIPTION

This protruding hand grip is a part of the 2<sup>nd</sup> and 3<sup>rd</sup> generation "AIO Solution® Breast- & Lungboard Package". It is used in combination with the AIO Breast- & Lungboard Cushions and Accessories, the AIO Solution® Base Plates and the Efficast® Pre-cuts to form a reproducible patient positioning and immobilisation system. Information on these other parts can be found in the respective 'instructions for use' and on [www.orfit.com](http://www.orfit.com).

### C. PRECAUTIONS FOR USE

Always use this protruding handgrip in combination with the other 2<sup>nd</sup> or 3<sup>rd</sup> generation AIO Solution® Breast- & Lungboard components.

To place the Protruding Hand Grip, slip the device over two Grip Poles (either long or short). The grip poles have engravings that serve as an index to position and lock the hand grip.



Always verify that the protruding hand grips is positioned correctly on the grip poles.

Please note that these Grip Poles serve as a reference point for the hands and arms of the patient and not as a means to

reposition the patient. Patients should therefore not use these Grip Poles to reposition themselves as this will lead to damage to the Grip Poles.

### D. STORAGE

Always store the product in a safe place to prevent it from getting damaged or falling onto other objects. Store the product in such a way that it cannot fall or bump against anything. Never place the protruding hand grip under load or pressure.

Store the device between + 10°C (50°F) and 30°C (86°F).

### E. PROPERTIES

#### E.1. Physical Properties

Dimensions:	L 270 mm x W 30 mm x H 135 mm L 10.63" x W 1.18" x H 5.31"
Weight:	0,44 kg / 0.97 lbs
Materials:	POM



This product is made entirely of electrically non-conductive, non-metallic and non-magnetic materials and is MRI safe.

#### E.2. Mechanical Properties

The protruding handgrip is made of POM, which keeps its dimensions overtime and under conditions of frequent use.

### F. MAINTENANCE AND WASTE MANAGEMENT

This product can be cleaned and disinfected by means of soapy water or an isopropanol based disinfectant, applied with a soft cloth. If unsure about the cleaning fluid, do not use. **Never use aerosol sprays, corrosive cleaning agents, solvents or abrasive detergents.**

Periodic checks of the product should be done to insure the parts are not worn and require repair or replacement. **Do not attempt to make repairs yourself.** Contact your distributor if there are any questions or concerns.

The product can be disposed of with household waste.

### G. ADDITIONAL INFORMATION

For additional information such as distributor contact information, product brochures, Safety Data Sheets and regulatory information, please visit our website [www.orfit.com](http://www.orfit.com).

#### Note:

It is prohibited to make alterations to this text without prior approval from Orfit Industries. THE AIO SOLUTION® is a registered trademark of Orfit Industries.



**ORFIT INDUSTRIES**  
Vosveld 9A | B-2110 Wijnegem | Belgium  
T (+32) (0)3 326 20 26  
[welcome@orfit.com](mailto:welcome@orfit.com)

[www.orfit.com](http://www.orfit.com)



Ref. No. 31908  
VERSION 3  
LAST UPDATE: 01/04/2021  
REVISION DATE: 01/04/2023