

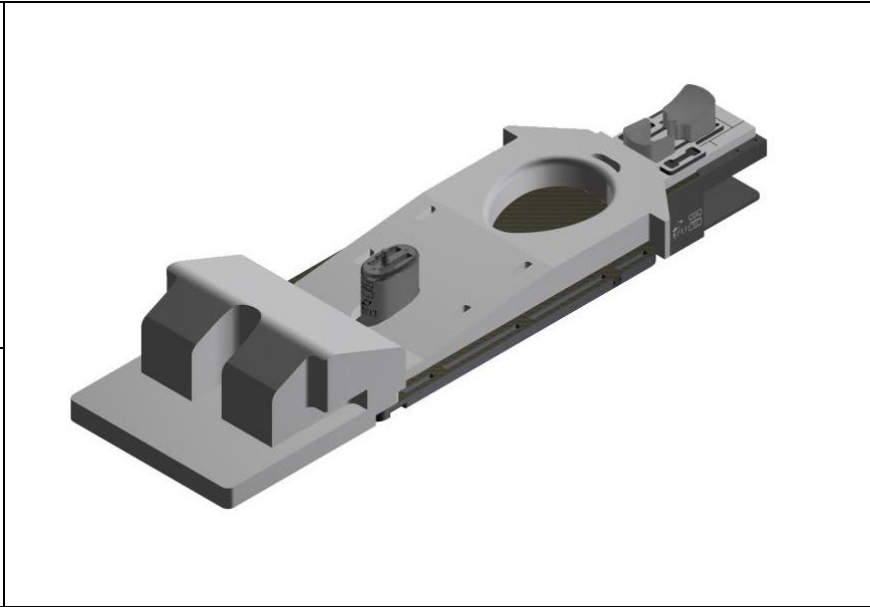


THE AIO SOLUTION® BELLYBOARD & PELVIC SOLUTION LEG SEPARATOR

INSTRUCTIONS FOR USE



AIO SOLUTION® code:
AC-LS
Article No. : **32037**



A. GENERAL PRODUCT INFORMATION

The products referred to in these instructions are medical devices, used for patient positioning and immobilisation in radiation therapy.

B. PRODUCT DESCRIPTION

This LEG SEPARATOR is a part of the "AIO SOLUTION® BELLYBOARD PACKAGE". It is used in combination with THE AIO SOLUTION® BASE PLATES, the BELLYBOARD CUSHIONS and the EFFICAST® PRE-CUTS to form a reproducible patient positioning and immobilisation system. It can also be used on the base plates of the PELVICAST™ range. Information on these other parts can be found in the respective 'instructions for use'.

Note: This device can be used securely on a 1st generation AIO base plate but it cannot be locked.

C. PRECAUTIONS FOR USE

Always use this LEG SEPARATOR on an AIO SOLUTION® base plate or on a PELVICAST™ base plate and where applicable in combination with the other AIO SOLUTION® BELLYBOARD components.
This device is placed between the patient's legs in the holes in the base plate. It is locked into the base plate by means of the locking mechanism on top of the device.

There are two possibilities for the placement: a cranial and a caudal one. The position can be changed by turning the device 180°. Always verify that the LEG SEPARATOR LOW is positioned correctly on the base plate.
There are two slots on top of the device that are used when making EFFICAST® 6-point pelvic masks.

D. STORAGE

Always store the product in a safe place to prevent it from getting damaged. Store the product in such a way that it cannot fall or bump against anything. Never place the device under load or pressure.
Store the device between + 10°C (50°F) and 40°C (122°F).

E. PROPERTIES

E.1. Basic Physical Properties

The following physical properties apply to the LEG SEPARATOR:

Dimensions: L 225 mm x W 91 mm x H 163 mm
Weight: 3,34 kg

E.2. Mechanical Properties

The LEG SEPARATOR is made of POM, covered with "a high grade", coated PE foam. This combination makes sure that it will keep its dimensions overtime and under conditions of frequent use.

F. MAINTENANCE AND WASTE MANAGEMENT

This product can be cleaned and disinfected by means of soapy water or an isopropanol based disinfectant, applied with a soft cloth. If unsure about the cleaning fluid, do not use. **Never use aerosol sprays, corrosive cleaning agents, solvents or abrasive detergents.**

Periodic checks of the product should be done to insure the parts are not worn and require repair or replacement. **Do not attempt to make repairs yourself.** Contact your distributor if there are any questions or concerns.

The product can be disposed of with household waste.

G. ADDITIONAL INFORMATION

For additional information such as distributor contact information, product brochures, Safety Data Sheets and regulatory information, please visit our website www.orfit.com.

The instructions were written in accordance with the European Directive 93/42/EEC for Medical Devices. It is prohibited to make alterations to this text without prior approval from ORFIT Industries.

THE AIO SOLUTION® is a registered trademark of ORFIT Industries



Ref. No. 31911 – 32037 AIO.doc
VERSION 5 - LAST UPDATE: 11/12/2013 - REVISION DATE: 11/12/2015

