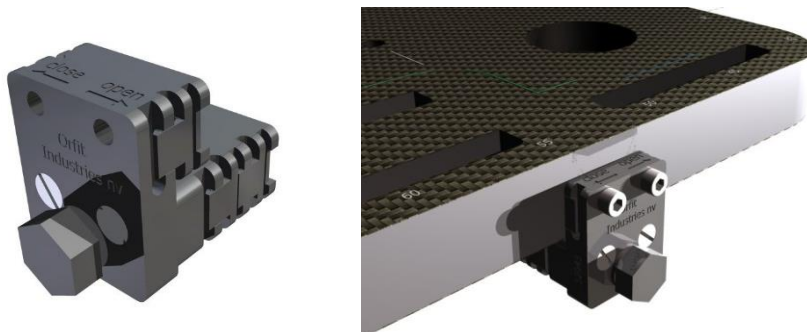


# RAYCAST® HIGH PRECISION BASE PLATE-TO-COUCH TOP FIXATION DEVICES: AIO FIX – NON-METALLIC VERSION

AIO SOLUTION® code:  
**FD-AF**



Article No. : **32043** (1 pair)

**A. GENERAL PRODUCT INFORMATION**

The products referred to in these instructions are devices used to connect RAYCAST and AIO High Precision base plates from Orfit Industries to non-indexed couch tops.

**B. PRODUCT DESCRIPTION**

This NON-METALLIC AIO FIX is a fixation device for the IMRT LONG BOARD and the AIO BASE PLATE. It can be used in combination with the AIO TABLE FIX to fix these base plates to non-indexed couches. All parts of this device are made of plastic.

**C. PARTS LIST**

The AIO FIX set 32043 contains the following parts:

Article number	Description	Pieces
32043/1	AIO Fix Basic Unit	2
32041/3	AIO Fix Blocks	6
32043/2	Screw M5x25mm	4
32043/3	Screw M5x35mm	4
32043/4	Screw M5x45mm	4
32043/5	Screw M5x55mm	4

**D. FIXATION**

**D.1. Fixation to base plate**

First determine the width of the couch in mm.

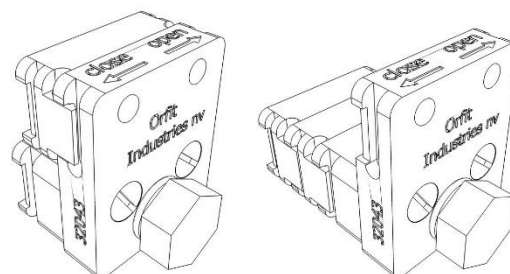
Then prepare the AIO FIX, according to the following table:

Couch width (mm)

from	till		Screws
418	442	3 blocks under	M5x25
440	464	2 blocks under	M5x25
462	486	1 block under	M5x25
484	508	no extra blocks	M5x25
506	530	1 block top	M5x35
528	552	2 blocks top	M5x45
550	574	3 blocks top	M5x55

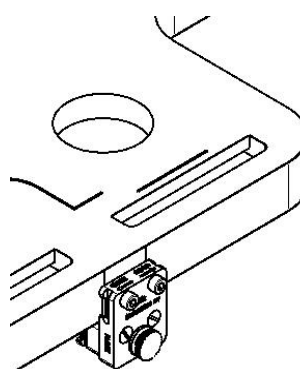
AIO FIX with 1 block top:

AIO FIX with 2 blocks under:



The blocks snap onto the AIO FIX: no tooling is required.

Now you can mount the AIO FIX units on both sides of the board, using the screws as mentioned in the table.



**D.2. Fixation to couch**

Make sure that the hand screw is 'open' before placing the board onto the couch.

Lock the AIO FIX units by turning the hand screws in the direction 'close' (counter clockwise). Do not put too much force on the device as this may lead to damage of the device.

To remove the board, 'open' the hand screws (clockwise) and remove the board gently.

## E. STORAGE

Always store the product in a safe place to prevent it from getting damaged.  
Store the product between +10°C (50°F) and 40°C (122°F).

## F. PROPERTIES

### F.1 Basic Physical Properties

The following physical properties apply to these units:

Dimensions: L 44 mm x W 38 mm x H 45 mm  
Weight: 0.12 kg

### F.2 Mechanical Properties

The AIO FIX is made of POM, GF and Nylon. This provides the necessary stability to get accurate patient positioning even under frequent use.

This product is made entirely of electrically non-conductive, non-metallic and non-magnetic materials and is MRI safe.



Warning: keep metal wrenches which might be supplied in the package out of the MRI room.

### F.3 Dosimetric Properties

Because of the high density of the POM, do not use in the path of the beam.

## G. MAINTENANCE AND WASTE MANAGEMENT

This product can be cleaned and disinfected by means of soapy water or an isopropanol based disinfectant, applied with a soft cloth. If unsure about the cleaning fluid, do not use. **Never use aerosol sprays, corrosive cleaning agents, solvents or abrasive detergents.**

Periodic checks of the product should be done to insure the parts are not worn and require repair or replacement. **Do not attempt to make repairs yourself.** Contact your distributor if there are any questions or concerns.

The product can be disposed of with household waste.

## H. FIXATION DEVICES COMBINATION PACKAGES

This product is part of following fixation devices combination packages:

- 32158
- 33147

## I. ADDITIONAL INFORMATION

For additional information such as distributor contact information, product brochures, Safety Data Sheets and regulatory information, please visit our website [www.orfit.com](http://www.orfit.com).

### Note:

It is prohibited to make alterations to this text without prior approval from Orfit Industries.  
RAYCAST® and THE AIO SOLUTION® are registered trademarks of ORFIT INDUSTRIES.



**ORFIT INDUSTRIES**  
Vosveld 9A | B-2110 Wijnegem | Belgium  
T (+32) (0)3 326 20 26  
welcome@orfit.com

[www.orfit.com](http://www.orfit.com)



Ref. No. 31974  
VERSION 3  
LAST UPDATE: 01/04/2021  
REVISION DATE: 01/04/2023