

# RAYCAST® HIGH PRECISION BASE PLATE-TO-COUCH TOP FIXATION DEVICES iBEAM® COUCH FIXATION



Article No. : **32813**

## A. GENERAL PRODUCT INFORMATION

The products referred to in these instructions are devices, used to connect radiation therapy base plates from Orfit Industries to iBEAM® EVO Couches (530 mm wide).

## B. PRODUCT RANGE

This product can be used with the AIO Solution® base plates, SBRT base plate (REF 32317/1) and with the long IMRT base plate (REF 32150). The device is entirely in plastic and MRI compatible.

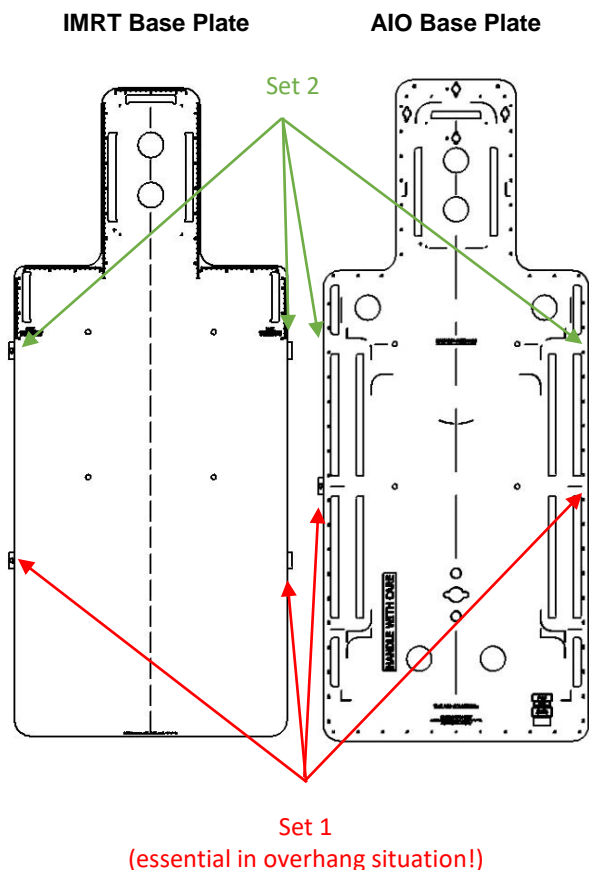
## C. PARTS LIST

The iBEAM® Couch Fixation 32813 (set of 2) contains:

Article No.	Description	Pieces
32813/1	Main block	2
32813/2	Swivel part	2
32813/3	Safety feature	2
32813/4	Peek bolt M8 x 25	2
32813/5	Countersunk screw M5 x 20	4
32813/6	Slotted countersunk screw M3 x 10	2

## D. FIXATION TO THE BASE PLATE

Mount the 32813/1 main blocks to the side of the base plate using the plastic countersunk M5 x 20 screws and screwdriver. Do not tighten excessively as all parts are plastic.

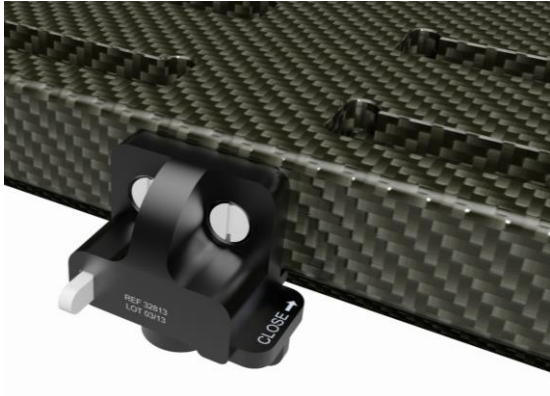


The IMRT base plate and AIO® base plate have 2 locations to attach a set of iBEAM® Couch Fixation. The SBRT base plate has 3 locations to mount a set of iBEAM® Couch Fixation.

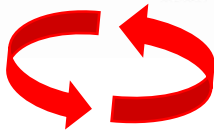
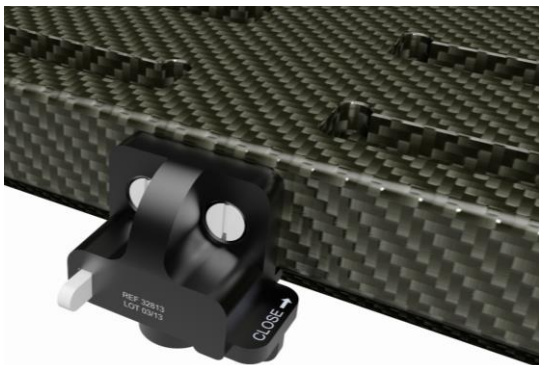
1. Fix the main blocks with the plastic screws to the base plate on both sides, using a flathead screwdriver.



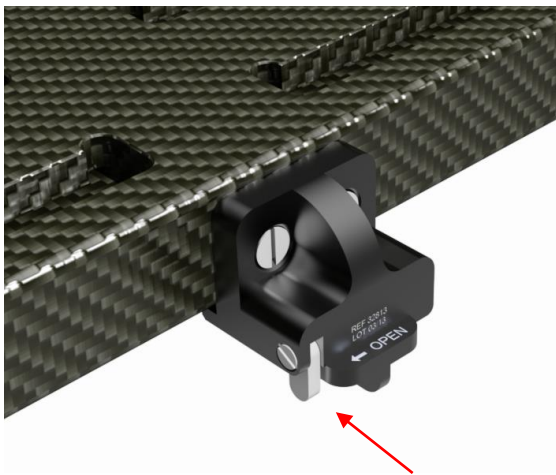
- Open the white safety pin and turn the swivelling part in the correct position as shown in the picture below.



- To secure, turn the part 90° anti-clockwise, to swivel the anti-tilt part under the edge of the couch top.



- Secure the anti-tilt part by turning the white safety pin downwards.



When only one set of iBEAM® Couch Fixation is used, combine it with a Table Fix, a non-indexed couch fixation or a 2-pin indexing bar and an adapter plate. Information on these other parts can be found in the respective 'instructions for use'.

The combination of the iBEAM® Couch Fixation with these other items might not allow use in an MRI machine.



The 32813 iBEAM® Couch Fixation can be used in **overhang ONLY** with general iBEAM® couches (530 mm in width). In this case it is vital to:

- Use the anti-tilt feature of the fixation device.
- Connect the fixation part in the most **caudal** holes of the base plate. (using the anti-tilt in the cranial holes, will not be strong enough and will result in breakage!)
- **Use a set (of two)** on both lateral sides of the baseplate. The calculations are delivered over 2 devices. Using only one part of the set will not withstand the forces below and will result in breakage!
- **DO NOT exceed** the maximum overhang line.

When the AIO base plate is positioned on the maximum overhang line and the 32813 is attached to the caudal holes; it allows forces on the superior edge of the baseplate of up to 50 kg for couches of 530 mm wide. When the overhang distance is decreased, it will automatically resist higher forces.

When an IMRT base plate is used and the 32813 is attached to the caudal holes, a force of up to 50 kg can be applied at the cranial end.

## E. PRECAUTIONS FOR USE

Always fix the base plate securely to the treatment couch before positioning a patient. More information on how to fix this base plate to a couch top can be found on our website

<http://www.orfit.com/en/fixation-devices>.



**DO NOT USE ONE SET OF THE iBEAM® COUCH FIXATION ON ITS OWN WHEN THE BASE PLATE IS IN OVERHANG OFF THE COUCH TOP!**

The iBEAM® Couch Fixation does not provide a safe fixation for base plate overhang situations for other couches than iBEAM®.

Replace the plastic screws 32813/5 and 32813/4 once a year to avoid breakage. Replacement parts can be purchased under the following Art #:

- 32813/7 (2 x M8 bolts)
- 32813/8 (4 x M5 bolts)

Make sure the screws are tightened so there is no play of the base plate during setup and treatment.

The plastic screws can be damaged if excessive force is used during assembly with a screwdriver.

## F. PROPERTIES

### F.1 Physical Properties

Dimensions: L 40 mm x W 26 mm x H 44 mm

Weight: < 0.1 kg

### F.2 Mechanical Properties

The iBEAM® Couch Fixation is made of POM, Peak and PVDF. This provides the necessary stability to get accurate patient positioning even under frequent use.

This product is made entirely of electrically non-conductive, non-metallic and non-magnetic materials and is MRI safe.



### Note:

The instructions were written in accordance with the European Directive 93/42/EEC for Medical Devices. It is prohibited to make alterations to this text without prior approval from Orfit Industries. RAYCAST® and THE AIO SOLUTION® are registered trademarks of ORFIT INDUSTRIES N.V. iBEAM® is a trademark of Elekta.



**ORFIT INDUSTRIES**  
Vosveld 9A | B-2110 Wijnegem | Belgium  
T (+32) (0)3 326 20 26  
welcome@orfit.com

[www.orfit.com](http://www.orfit.com)



Ref. No. 50053  
VERSION 9  
LAST UPDATE: 22/03/2018  
REVISION DATE: 22/03/2020

Warning: keep metal wrenches which might be supplied in the package out of the MRI room.

### F.3 Dosimetric Properties

Because of the high density of the POM, do not use in the path of the beam.

## G. STORAGE

Always store the product in a safe place to prevent it from getting damaged.

Store the product between +10°C (50°F) and 40°C (122°F).

## H. MAINTENANCE AND WASTE MANAGEMENT

This product can be cleaned and disinfected by means of soapy water or an isopropanol based disinfectant, applied with a soft cloth. If unsure about the cleaning fluid, do not use. **Never use aerosol sprays, corrosive cleaning agents, solvents or abrasive detergents.**

Periodic checks of the product should be done to insure the parts are not worn and require repair or replacement. **Do not attempt to make repairs yourself.** Contact your distributor if there are any questions or concerns.

The product can be disposed of with household waste.

## I. FIXATION DEVICES COMBINATION PACKAGES

This product is part of following fixation devices combination packages:

- 33133
- 33139
- 32127
- 33158
- 33149

## J. ADDITIONAL INFORMATION

For additional information such as distributor contact information, product brochures, Safety Data Sheets and regulatory information, please visit our website [www.orfit.com](http://www.orfit.com).